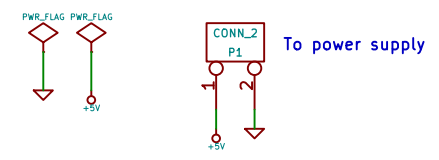
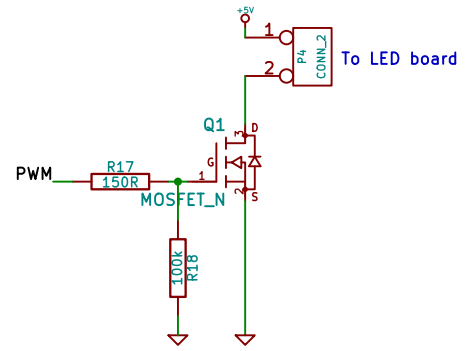
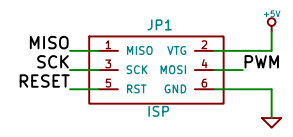
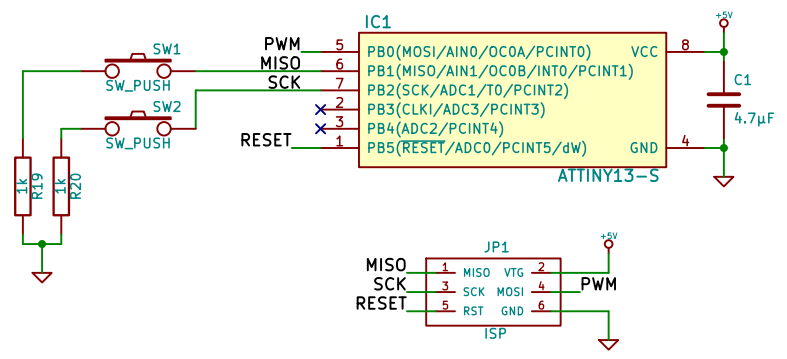
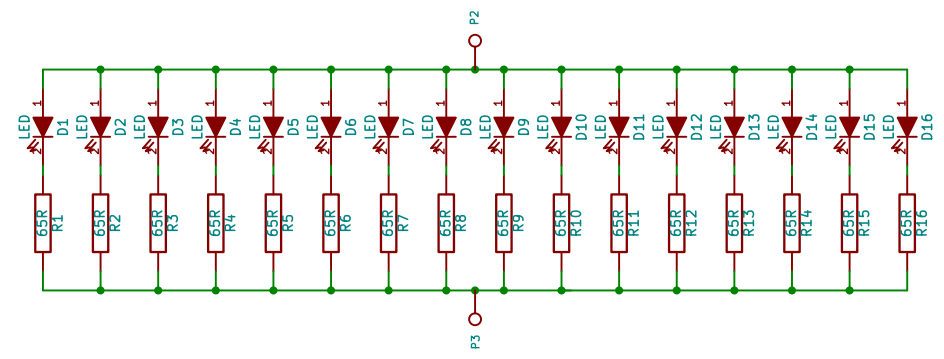


WW: 3.29V ---> 26mA ---> 65R (5V)
 W: 3.19V ---> 28mA ---> 65R (5V)



2013 - blog.spitzenfeil.org	
File: Pentax-S5z-LED-ring.sch	
Sheet: /	
Title: Pentax S5z LED ring	
Size: A4	Date: 28 apr 2013
KiCad E.D.A.	Rev: 1.0
	Id: 1/1